

INTEG offers several solutions for controlling a variety of types of lighting. From simple relay control of a lighting panel to regulating from 0—100% the intensity of LED Strip Lights and LED Lamps. One or all of these methods can be implemented from a single or multiple JNIOR automation controllers.

Depending upon the type of LED light being used—Strips or Lamps, the appropriate expansion module will need to be added to the JNIOR. The 3 Channel LED Dimmer controls strip lights and the 10VDC Analog Expansion Module sends a 'reference signal' to the LED Lamp power supply. Optionally, the INTEG Four Relay Output Expansion Relay Module can be used to 'break' the LED Lamp voltage (up to 277 VAC) to completely shut-off the LED Lamp. Some LED Lamps will have a dim glow at the 0/1 VDC (0%) reference signal.

All of the control for the LED Strips and Lamps is done via the JNIOR utilizing the Analog Presets applications program that can be downloaded for free from the INTEG website.

Controlling LED Strip Lights Utilizing the 3 Channel LED Dimmer Module

The INTEG 3 Channel LED Dimmer expansion module works with the JNIOR Series 4 to add control of LED strip lights. The module controls up to 3 individual channels of single color LED strip lights or 1 channel of Red, Green, Blue (RGB) LED strip lights. Up to four modules can be used per JNIOR.



3 Channel LED Dimmer Features

- ◇ Plug and Play Expansion Module
- ◇ 3 Channels—Single Color LED Strip Lights
- ◇ 1 Channel—RGB LED Strip Lights
- ◇ 5—24 VDC Input Power
- ◇ 10 Amps per Channel—30 Amps total
- ◇ Each Channel Dimmable 0—100%
- ◇ Up to 4 LED Dimmer Modules per JNIOR

Controlling LED Lamps Utilizing the 0 - 10 VDC Analog Module

The INTEG 0—10 VDC Analog expansion module works with the JNIOR Series 4 to add control of LED Lamps. The module has two separate analog outputs with each output being capable of being wired to multiple LED Lamp power supplies. Each LED power supply receives the 0-10 VDC signal and controls the voltage (or current) to dim the LED lamp. Up to four modules can be use per JNIOR.

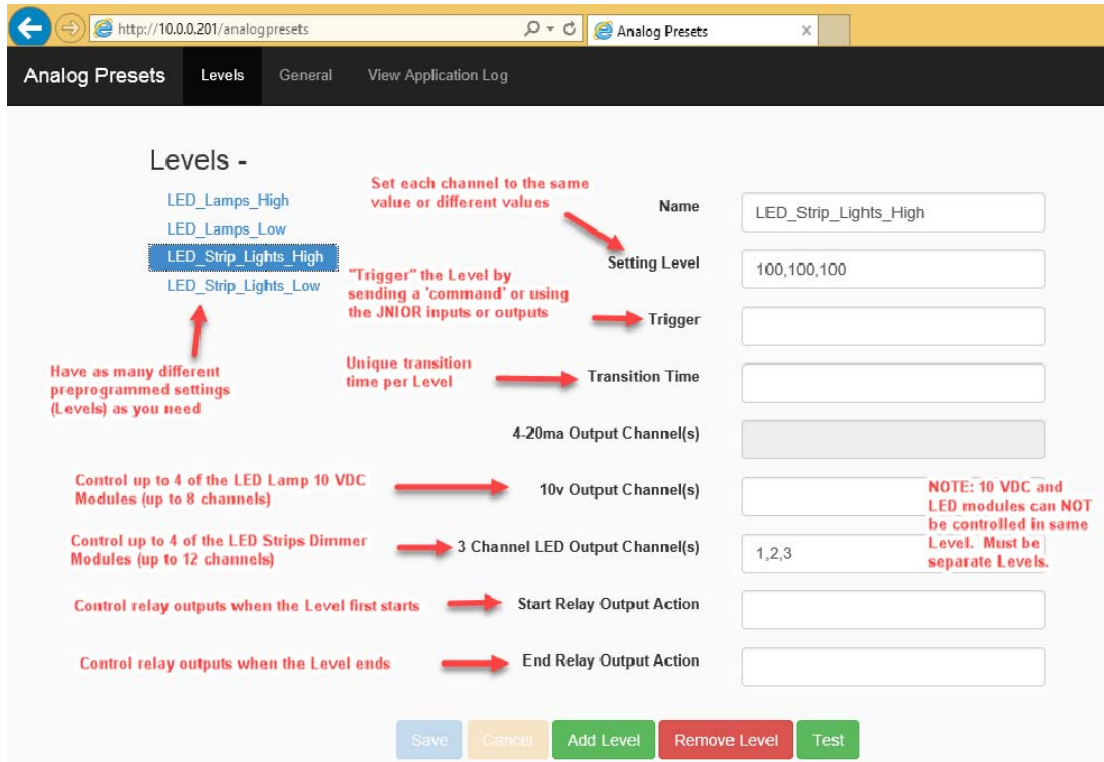


0-10 VDC Analog Module Features

- ◇ Plug and Play Expansion Module
- ◇ 2 Channels — 0-10 VDC Reference Signal
- ◇ Multiple Power Supplies per Channel
- ◇ Each Channel Dimmable 0—100%
- ◇ Non-linear Curve for 0-100% (Optional)
- ◇ Up to 4 of the 10 VDC Modules per JNIOR

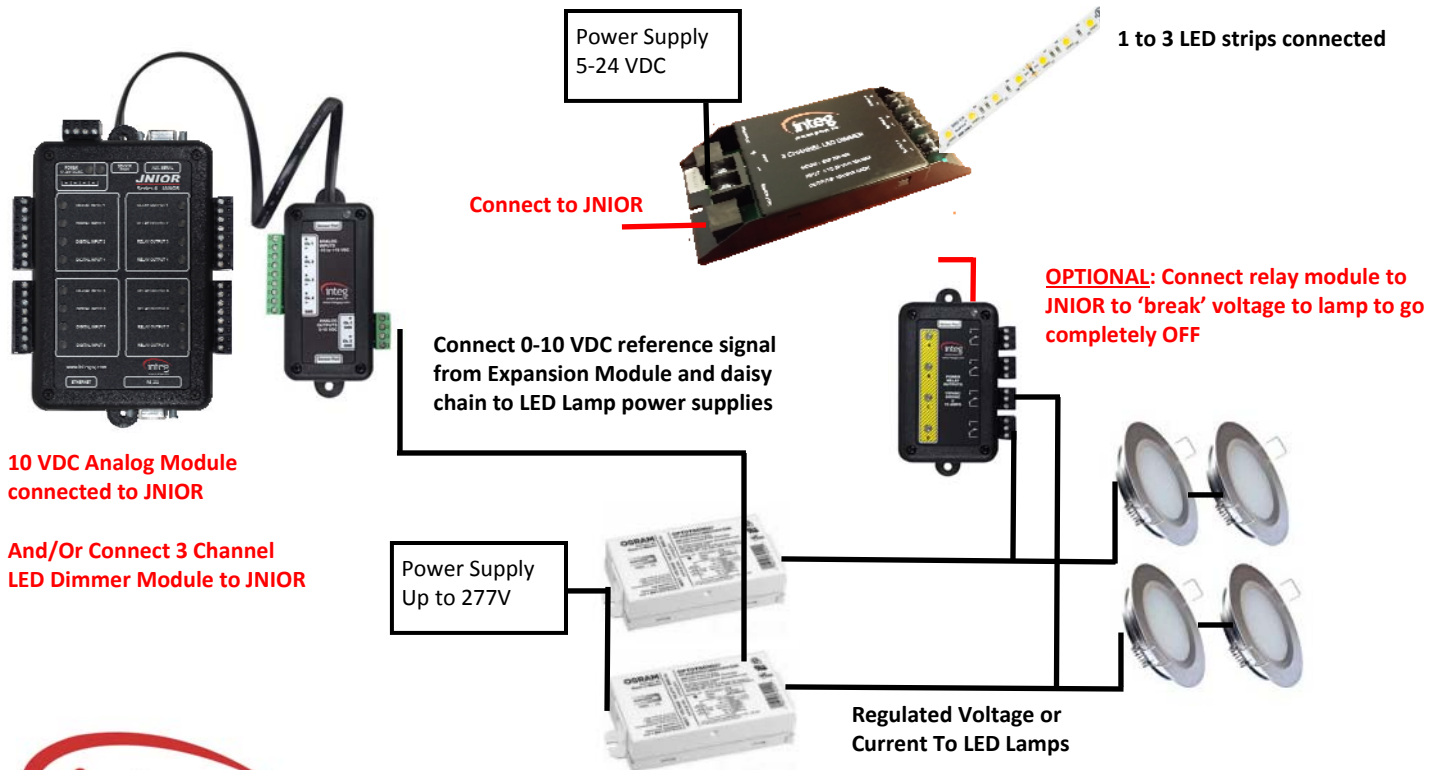
SOFTWARE and CONTROL

The INTEG 3 Channel LED Dimmer Module and 0-10VDC Analog expansion module are easy to control using the **Analog Presets program** running on the JNIOR. The program allows the user to configure various 'Levels'. A Level contains a specific percentage value for 1 or more output channels on the LED Dimmer or 10v Analog Module. A Level is triggered by sending a command to the JNIOR or pulsing inputs or outputs on the JNIOR. Any cinema server or other device can easily trigger a Level to change a lighting intensity. Please see the Analog Presets Manual for additional details.



WIRING

The following diagrams provide a general overview of the cabling and wiring for each of the expansion modules.



Get Connected. Get Results.

2919 East Hardies Road - 1st Floor - Gibsonsia, PA 15044
 Phone 724-933-9350 Fax 724-443-3553 www.integpg.com

Rev. 8/14/2017